

## ACP504\_BSD Top-View Camera Specifications



**Applicable Models: MD600/MD833H**

## Change History


File Name	ACP504_BSD Top-View Camera Specifications		
Project	MD600/MD833H	Creation Date	2024-08-09
Subproject	Accessory Specifications	Total Pages	6
Version	V1.0	Confidential	External Documentation

## Contents

1 Copyright and Disclaimer.....	- 4 -
2 Product Specification.....	- 4 -
3 Enclosure Structure Diagram .....	- 5 -
4 Bracket Structure Diagram.....	- 5 -

## 1 Copyright and Disclaimer

Copyright © 2024 MEITRACK. All rights reserved.

MEITRACK and  are trademarks that belong to Meitrack Group.

The user manual may be changed without notice.

Without prior written consent of Meitrack Group, this user manual, or any part thereof, may not be reproduced for any purpose whatsoever, or transmitted in any form, either electronically or mechanically, including photocopying and recording.

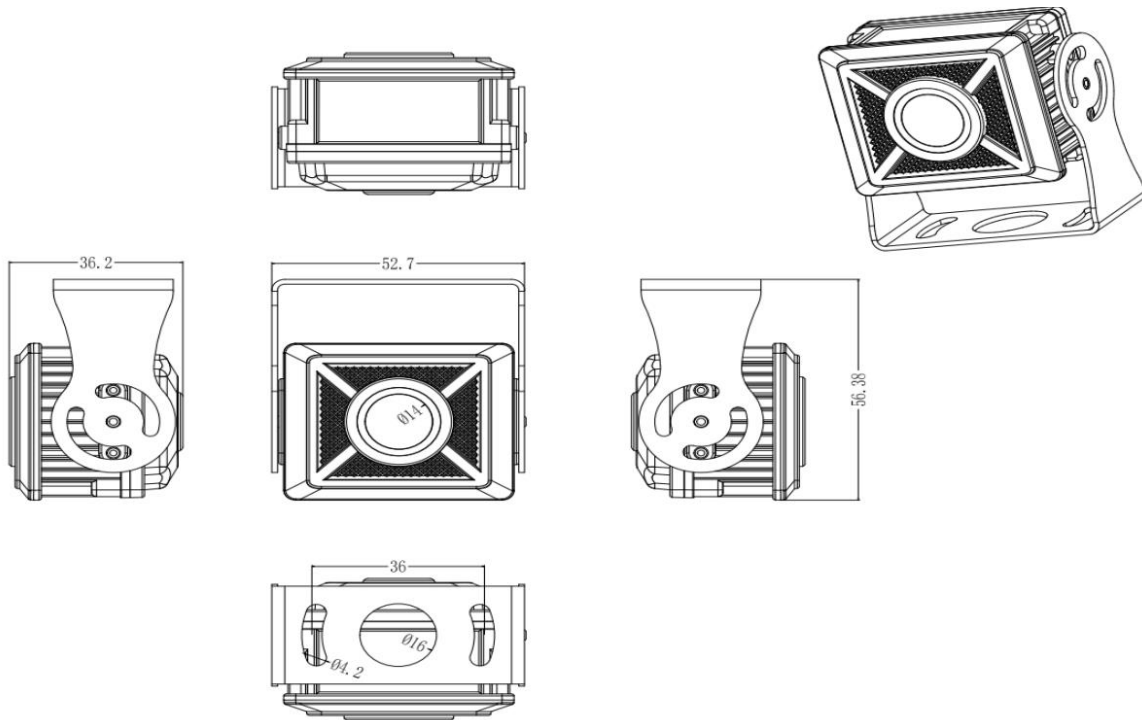
Meitrack Group shall not be liable for direct, indirect, special, incidental, or consequential damages (including but not limited to economic losses, personal injuries, and loss of assets and property) caused by the use, inability, or illegality to use the product or documentation.

## 2 Product Specification

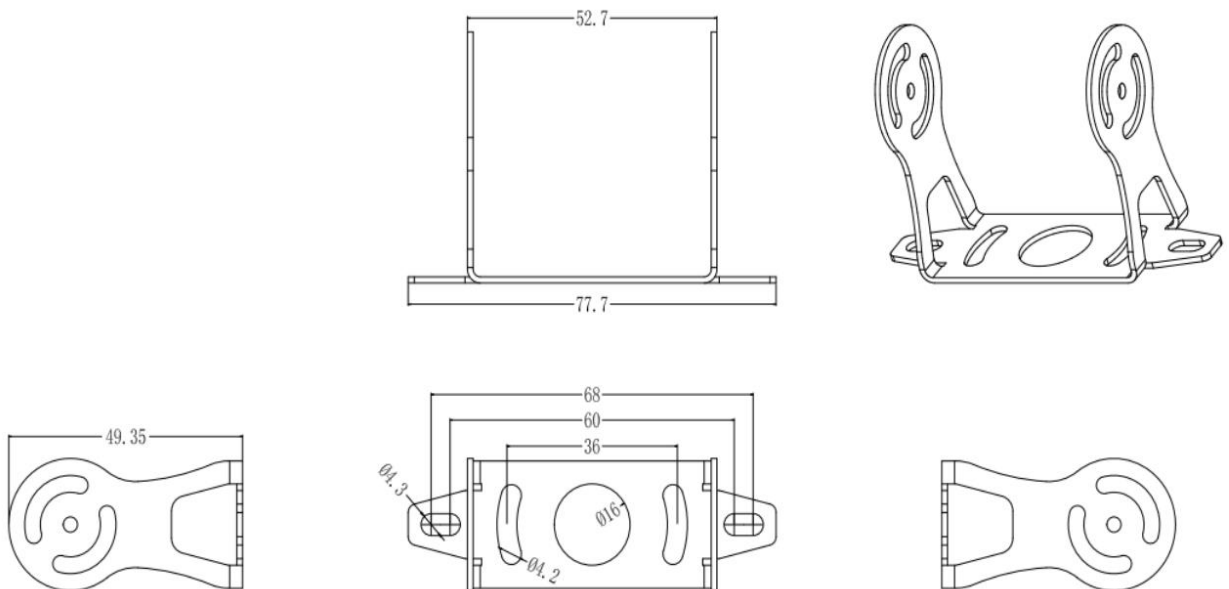
Item	Specifications
Model	ACP504_BSD Top-View Camera
Image Sensor/ Module Type	2 million pixel AHD module, FH8536H+1/2.9 GC2053
Resolution	AHD 720P
Formality	PAL
Total pixels	PAL:1280(H)×720(W)
Minimum illumination	0.01Lux
Electronic shutter	PAL: 1/50~ 1/100,000s Auto
Signal-to-noise ratio	> 52dB
White balance	Auto
Day/Night Switching Function	Color
Pigtail length	500CM
Digital WDR	ON
Mirror mode	Default OFF
Pigtail length	50CM ± 10%
Language	Default English
Video output	1.0Vp-p composite output, 75Ω
Lens	2.1MM 650
Angle	150°
Port	M12 four-core aircraft head interface (1: 12V 2: GND 3: Empty 4: Video)
Power	DC 12V±10%
Operating temperature	-20℃~70℃
Operating humidity	Relative humidity below 90%
Package	Accessories screw package, certificate of conformity

### 3 Enclosure Structure Diagram

The dimensions of the main structure are shown as following. The unit is millimeters.



### 4 Bracket Structure Diagram



If you have any other questions, please send an email to our email address [info@meitrack.com](mailto:info@meitrack.com) We will wholeheartedly serve you.